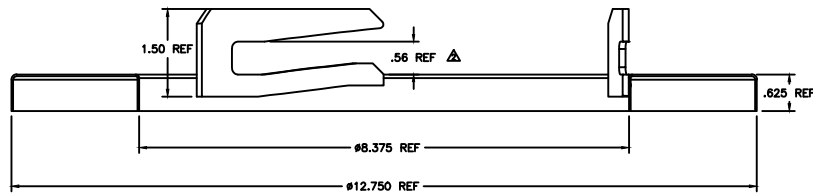
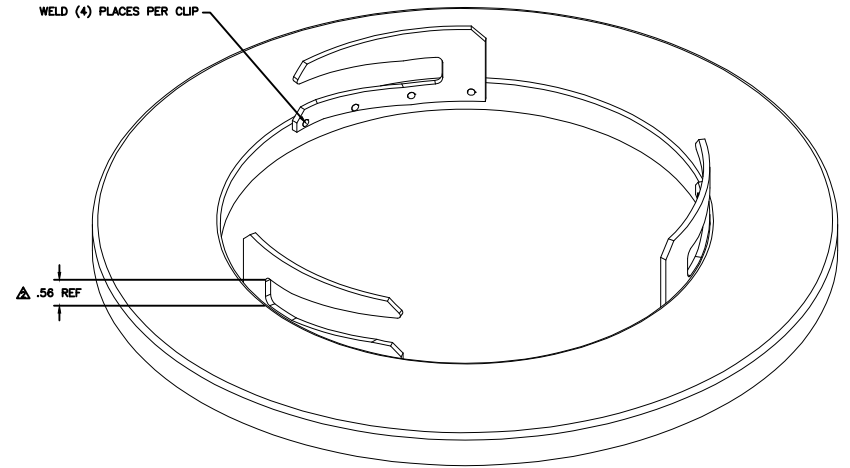
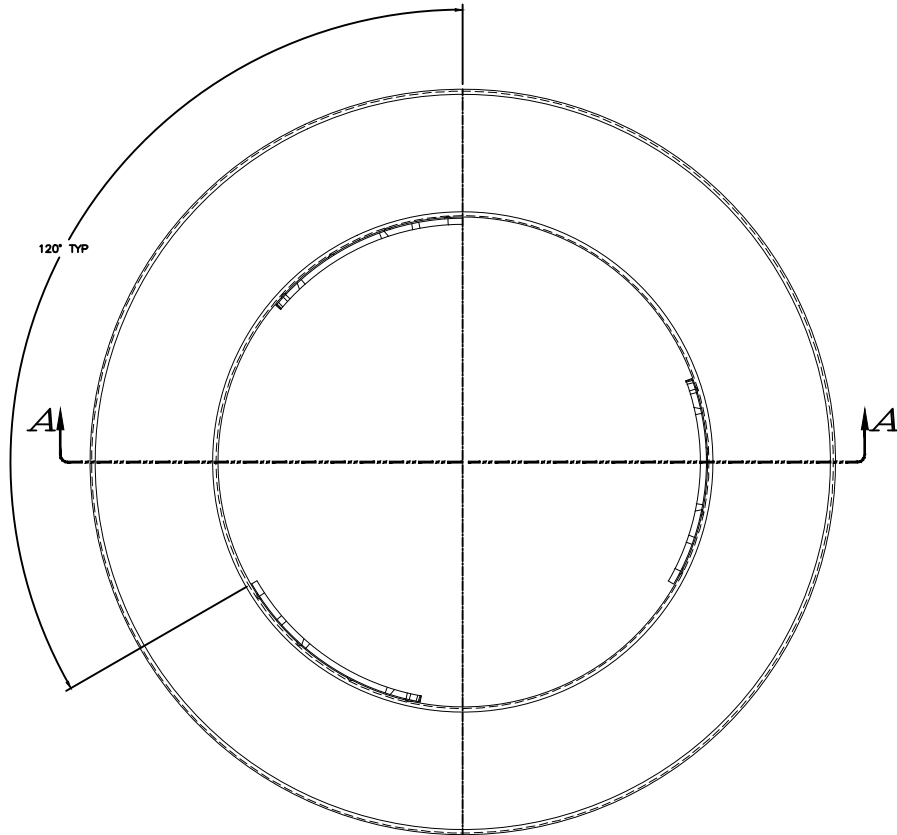


⚠ SPOT WELD (3) RTM-TC-4 CLIPS TO EC-4 AT 120° INTERVALS ±.08 OF TRUE POSITION.  
 ⚠ ENSURE .56 GAP ON CLIP CLEARS THE END CAP SO IT IS NOT OBSTRUCTED.  
 ⚠ OPEN E/C SHOWN w/.625 L.



<b>RELIANCE</b> TOOL & MFG. CO.		800 N. State St. Deck #1 Eight Bldg. (847) 428-0001	
		NUMBER / JOB NO. <b>N/A</b>	PARTS USE <b>D</b>
COMPANY <b>TREND MFG</b>	MATERIAL / FINISH <b>N/A</b>	SCALE <b>Full</b>	
TITLE <b>PNEUMAFIL CLIP ASSEMBLY</b>	DATE <b>07/15/14</b>	DRAWN BY <b>ERF</b>	CHECKED BY <b>ERF</b>
PART NO. <b>RTM-TC-4A</b>	DATE <b>07/15/14</b>	DESIGNED BY <b>ERF</b>	CHECKED BY <b>ERF</b>